

Job Name: _____
 Location: _____
 Contact #: _____



Specifications

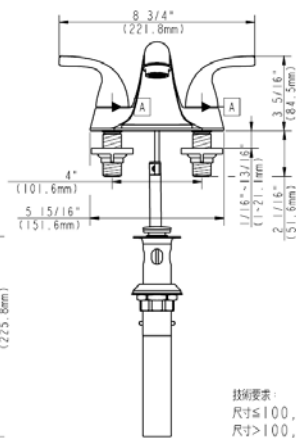
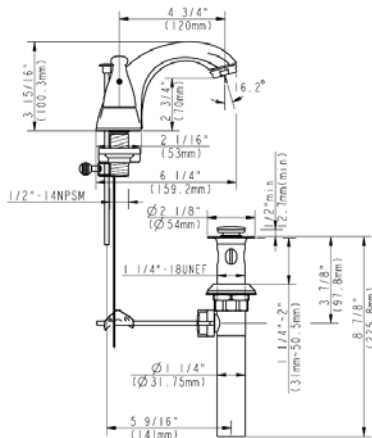
Model

400967 – Brushed Nickel finish
 400987 – Chrome finish

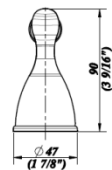
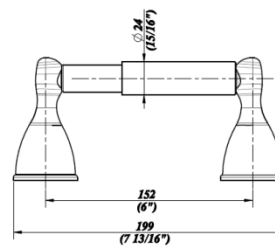
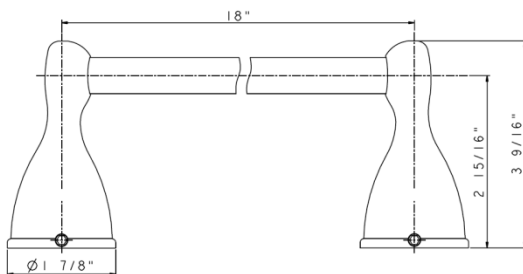
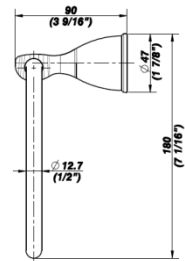
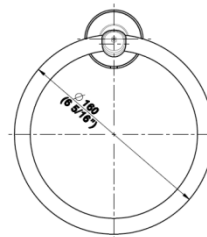
Description

- o 4" Lavatory Faucet with 50/50 pop up
- o 18" Towel Bar
- o Towel Ring
- o Paper Holder
- o 100% Factory Pressure Tested

Lavatory Faucet and Bath Accessory Kit



技術要素:
 尺寸 ≤ 100, 公差 ± 5;
 尺寸 > 100, 公差 ± 10;



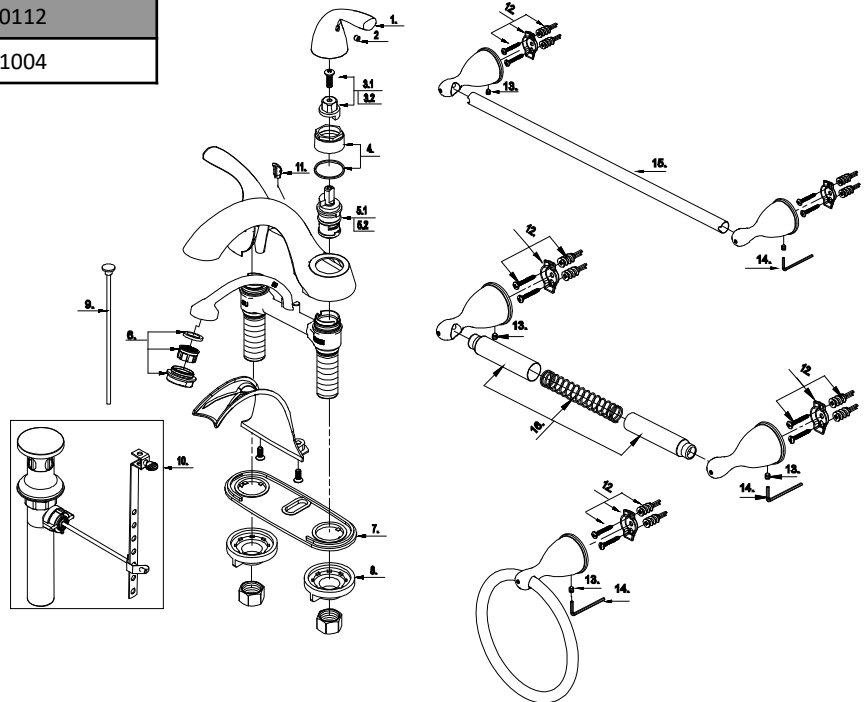
Technical Support

888-328-2383
 Manufacturer model# A660274

Warranty Parts List

#	Description	Part #
1	Metal Handle	A069912
2	Screw(M5 * 4mm L)	A008005
3.1	Handle Adaptor-Cold	A66D574C
3.2	Handle Adaptor-Hot	A66D574H
4	Retainer Nut & Washer	A663631
5.1	Ceramic Disc Cartridge –Cold	A507104N
5.2	Ceramic Disc Cartridge –Hot	A507103N
6	Aerator	A500966N-54
7	Putty plate	A011083
8	Lock Nut Set	A504023
9	Lift Rod	A025088
10	Pop-up Assembly	A556201
11	Lift Rod Plug	A028584
12	Holding Hardware	A290572
13	Screw (M5 *6.5 mm L)	A292608
14	Hex Wrench (H2.5 * 19 mm L * 53 mm L)	A031000NI
15	24 "Towel Bar	A250112
16	Extended Tube	A251004

Lavatory Faucet and Bath Accessory Kit



Technical Support

888-328-2383

Manufacturer model#A660274